



Mobile Shower Commode Chairs



Options & Accessories

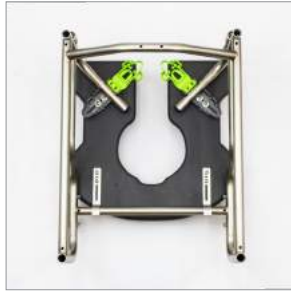
SEATS – Raz is all about seats!

Raz Commodes – The most important component of a mobile shower commode chair is the seat. Since people come in many shapes and sizes, Raz offers an exceptionally large variety of seats. If required, Raz engineers can design a custom seat that will accommodate unique client needs.

ALL Raz SEATS FEATURE IPAS



Adjusted Fully Rearward



Adjusted Fully Forward



Adjusted Laterally



Rotated

Raz's unique seat attachment brackets serve two functions:

- They lock the seat in place but release to allow the seat to be easily removed for cleaning or exchange.
- **Exclusive to Raz**, IPAS (Ischial Pelvic Alignment System), allows for the seat to be adjusted for optimal IT positioning within the aperture. Slots in the brackets allow the seats to be adjusted 2" fore/aft, 1" to either side or rotated up to 4.5°. IPAS is standard on all Raz seats.

MOLDED SEATS

Raz's exceptionally durable Molded Seats are contoured to reduce sitting pressures, stabilize the pelvis and provide exceptional comfort.



Front Bridged Z405



Front Access Z410



Front Bridged Z415



Front Access Z420



Front Access Z4M23



Front Access Z4M26

▲ 18"W SEATS (4 CONFIGURATIONS)

- 2 depths (16"-18" and 19"-21")
- 2 access types (Front Bridged, Front Access)

▼ HD SEATS (2 CONFIGURATIONS)

- 23"W x 18"-20"D (for 22"/24"W frames)
- 26"W x 18"-20"D (for 26"/28"W frames)

SEATS – Raz is all about seats!

VISCO-FOAM INTERFACE SEATS (VFI)

VFI Seats are constructed by adding a 1" layer of soft visco elastic foam to the top of a molded seat and upholstering it with 4-way stretch vinyl. This combination provides exceptional comfort and pressure redistribution. Front bridged molded seats are modified to create VFI seats with left, right or rear access openings.



Front Bridged Z436BRI



Front Access Z436FRO

18"W SEATS (10 CONFIGURATIONS)

- 2 depths (16-18" and 19"-21")
- 5 access types (front bridged, front, left, right, rear)



Left Access Z436LTO



Right Access Z436RTO



Rear Access Z436RRO



Front Bridged Z439BRI



Front Access Z439FRO



Left Access Z439LTO



Right Access Z439RTO



Rear Access Z439RRO



Front Access Z4V23



Front Access Z4V26

VFI HD SEATS (2 CONFIGURATIONS)

- 23"W x 18"-20"D (for 22"/24"W frames only)
- 26"W x 18"-20"D (for 26"/28"W frames only)

SEATS – Raz is all about seats!

EVEREST & JENNINGS REPLICA SEATS



MOLDED

- Soft, molded foam replica of the E&J seat
- Teardrop shaped aperture
- Deep side cutouts to facilitate self care
- Size: 18"W x 16"-18"D

ORDER CODE: Z4EJRM



VISCO FOAM

- Visco Foam version of the E&J Replica seat
- Teardrop shaped aperture
- Deep side cutouts to facilitate self care
- Size: 18"W x 16"-18"D

ORDER CODE: Z4EJRV



SHOWER-ONLY MOLDED SEAT

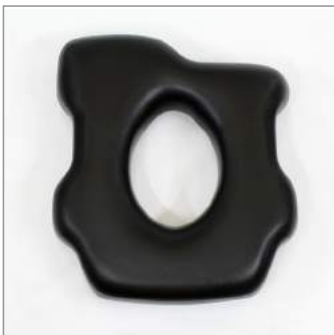
- Soft, molded foam with gentle contours for added comfort
- Drainage slot
- 5" of depth adjustability
- Size: 18"W x 16"-21"D

ORDER CODE: Z4SOM

CUSTOM SEATS

When off-the-shelf seats do not meet client needs, Raz will design a seat for optimal function, comfort and support. All custom seats are fabricated with 3 layers of foam and are supported by an HDPE base. The top layer is a proprietary, extra-soft visco elastic foam. High-quality, 4-way stretch vinyl provides a smooth, seamless, waterproof covering.

CUSTOM SEAT EXAMPLES



Leg Length Discrepancy



CAT Seat with Rear Access



HD Seat Left Access



Right Access Sacral Valley

SEATS – Options and Accessories



◀ MEDIAL THIGH SUPPORT (POMMEL)

- Unique width and angle adjustable design
- Removable
- Fits AT/CAT/AT600

ORDER CODES: Z7MTST1 – Small Pad
Z7MTST2 – Large Pad



◀ COMMODE PAN SPACER KITS

- Lowers commode pan to provide access for self-care with pan in place
- Four kits available: 1", 2", 3", 4"

ORDER CODES:
ZPSK1 – 1", ZPSK2 – 2", ZPSK3 – 3", ZPSK4 – 4"



◀ GIMBALLED FRONT SEAT BRACKETS

- Raises the front of the seat by 1" / 1.5" / 2" to create a "dump angle"

ORDER CODES:
Z4GSB10 – 1" increase
Z4GSB15 – 1.5" increase
Z4GSB20 – 2" increase

WHIZARD® – URINE DEFLECTOR

NEW!

- Patent-pending lateral wings are positioned under the medial aspect of the thighs keeping the Whizard in place.
- Fits all Raz seats (excluding Shower-Only)
- Fits most toilet seats
- Autoclavable
- Can be positioned closer or further away from the user

ORDER CODE: ZIHW



BACKS – Frames and Supports

All back heights are measured from top of seat (molded) to top of back upholstery

ADJUSTA-BACKS (Shown with optional tension adjustable upholstery)



15"H



17"H



20"H



24"H

- Height / Angle-adjustable, flip-up arm supports
- Multiple straps allow optimal adjustment and keeps upholstery in place
- Recess depth: up to 3" at top / 4.5" below
- Upholstery can be raised 2.5" (excluding 24"H)
- Arm Support Lock Kit optional

Add frame width to complete Order Code (16"/18"/20"/22"/24"/26") – 18"W is standard		
ORDER CODE:	15"H – Z509__	20"H – Z510__
	17"H – Z515__	24"H – Z520__

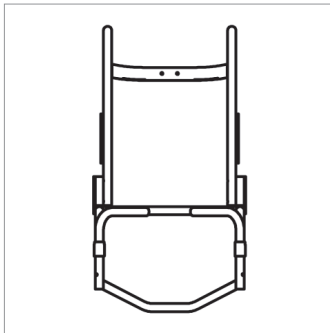


◀ RECLINING BACKS – FOR AP/SP/AT/CAT

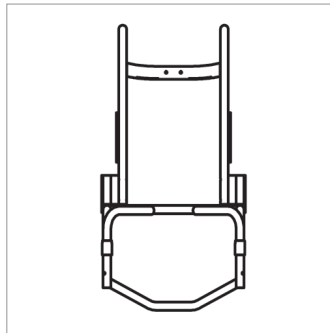
- Available heights 20" and 24" (18" for CAT)
- 30° of recline
- 2-Point Reclining Arms Included
- Tension-adjustable vinyl upholstery

ORDER CODE: See order forms

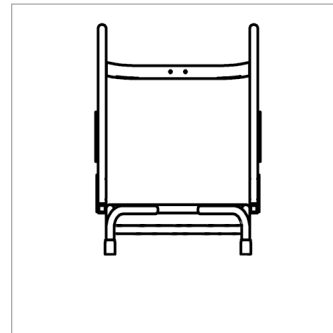
BACK FRAME WIDTH DIFFERENT FROM SEAT FRAME WIDTH



2" Narrower



4" Narrower



2" Wider (AT Only)

- The most common reason for choosing a back frame narrower than a seat frame is to provide optimal spacing between the arms on a base that will fit over a toilet.
- A common reason for choosing a back frame wider than the seat frame is to provide more space between the arms without going to the expense of a wider base frame.

BACKS – Frames and Supports



◀ HARMONY BACK SUPPORT (STANDARD)

- Molded, contoured back support
- Fits 18"W back frames only
- Fits 17" and 20" back frame heights
- Ideal for infection-control environments

ORDER CODE: Z749



◀ VINYL TENSION ADJUSTABLE BACK SUPPORT

- A vinyl-coated fabric for durability, comfort and better Infection control
- provides individualized trunk support for optimal positioning and comfort.
- The back is removable for machine washing.



◀ SYMPHONY BACK SUPPORT

- Soft, durable molded foam pads
- Recessed to minimize loss of seat depth
- Fits back widths from 14" to 30"
- All panels are 13" high
- Fits 17", 18", 20", 24" back heights
- Ideal for infection-control environments

Add frame width to complete Order Code
(14"/16"/18"/20"/22"/24"/26"/28"/30") – 18"W is standard

ORDER CODE:

Z5S__

ARM SUPPORTS

STANDARD FLIP-UP ARMS



Standard Arms – 13" Z5BAR13



Short Arms – 10" Z5BAR10



▲ 2-POINT ARMS

- Standard on recline models
- Keeps arm supports parallel to seat when back is reclined

ORDER CODES:

Z52PAT – CAT/AT

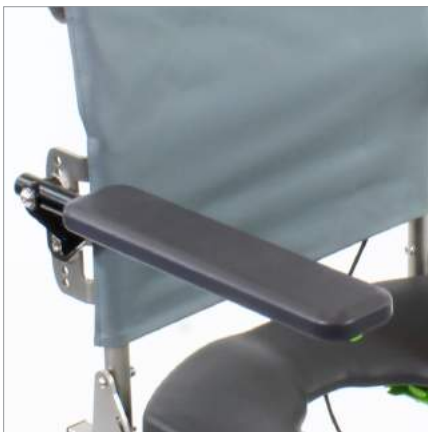
Z52PAS – AP/SP



◀ ARM TROUGH

- Soft, molded foam
- Lateral/medial and fore/aft and angle adjustable
- Drain hole
- Compatible with Pivoting Arm Mount

ORDER CODE: Z7TRL/R



◀ FLAT ARM PADS

- Available for both regular and short arms
- Lateral/medial and fore/aft and angle adjustment
- Compatible with Pivoting Arm Mount

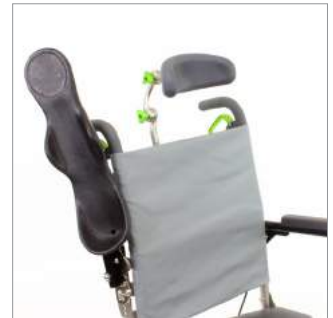
ORDER CODES:

Z7FLL/R – Long Pad (14" long x 3.25" wide)

Z7FSL/R – Short Pad (10" long x 3" wide)

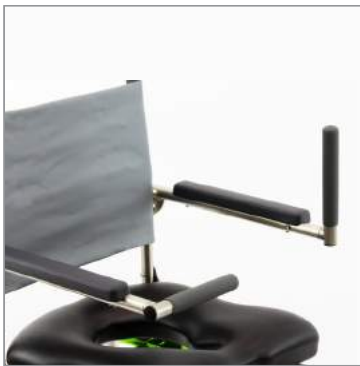
ARM SUPPORTS

PIVOTING ARM MOUNT



- Allows Arm Trough or Flat Arm Pad to be rotated 95°, permitting the arms to be flipped up without interference.
- Allows low-mounted lateral pads (below top of Arm Trough) to be swung away
- Arm Trough / Flat Arm Pad can be adjusted medially and angled inward for optimal arm positioning/support.

ORDER CODE: Z7PAML/R



PIVOTING HAND GRIPS

Lock in 1 of 3 positions:

- Vertical, upward
- Vertical, downward
- Horizontal, medial

Order CODE: Z7PHG



ANTERIOR POSTURE SUPPORT BAR

- Attaches with stretchable, rubber bungees
- Foam grips provide additional comfort
- Widths 14"-30"

ORDER CODES: Z7APS__
(Add width to complete code)

ARM SUPPORT LOCK KIT

- Locks arm in down position for transfers and stability

ORDER CODES:
Z710 – Standard Weight Chairs
Z710HD – HD Chairs



ARM SUPPORT SPACER KIT

- Provides additional width between arm supports
- For Adjusta-Back Only

ORDER CODES:
Z718 – 1" increase in width
Z719 – 2" increase in width

FOOT and LEG SUPPORTS

NOTE: Adjustment ranges are measured from top of Molded Seat to Footplate



- ◀ **STANDARD FOOTRESTS**
- Swing-away (In or Out)
 - Removable
 - 16"- 20.5" adjustment range
- ORDER CODES:
 Z705N16 – 16"W frames
 Z705N – 18"- 24"W frames
 Z709N – HD chairs (22"- 30"W)



- ◀ **FOOTREST EXTENSION TUBES**
- Increases adjustment range by 2" (18"- 22.5")
- ORDER CODES:
Z7FET2 – for Z705N / Z705N16 / Z709N / Z7FBT/AS
Z7FET2A – for Z7ADM



- ◀ **MFX8**
- 8"-12" adjustment range
- ORDER CODE:
 Z7MFX8



- ◀ **MFX12**
- 12-16" adjustment range
- ORDER CODE:
 Z7MFX12



- ◀ **ANGLE / DEPTH ADJUSTABLE FOOTPLATES**
- Accommodate plantar/dorsiflexion and fore/aft foot positioning
- ORDER CODE:
 Z7ADM



- ◀ **V-STYLE**
- Tapered design reduces footprint for improved maneuverability
 - 16"-20.5" adjustment range
 - Angle/depth adjustable
 - Easily removable
- ORDER CODE: Z7VS



FOR NON-TILT CHAIRS
 Z7FBAS



FOR TILT CHAIRS
 Z7FBT



- ◀ **FLIP-BACK FOOTREST**
- 90° foot placement
 - Improves maneuverability
 - 16"- 20.5" adjustment range
 - Calf pads included on Z7FBT
- ORDER CODES:
 Z7FBT – AT/CAT
 Z7FBAS – AP/SP

FOOT and LEG SUPPORTS



Standard Z7ELRL/R



Forward Offset Z7ELROFL/R

ELEVATING LEGRESTS

- Full elevation, level with seat surface
- High pivot joint virtually eliminates shearing (knee lift)
- Padded pivot joint
- Depth / Angle Adjustable Footplate
- Recessed, contoured calf pad
- Available in Standard, and in Forward Offset configurations for seats that overhang front edge of frame

RESIDUAL LOWER LIMB SUPPORTS

The Universal Residual Limb Support is a unilateral option that utilizes the contoured calf pad from our Elevating Legrest. This support offers the following adjustments: 14° of angle, 5" fore/aft, 3" vertical

Custom supports can be constructed in unilateral or bilateral configurations, with fixed or position/angle adjustment.



Universal Z7RLSL/R



Custom Bilateral Adjustable Angle



Custom Unilateral Fixed-Angle



SNAP-ON BODYPOINT AEROMESH CALF STRAP

- Easily snaps on and off
- Available for all frame widths

ORDER CODES: Z7CS__
(16", 18", 20", 22", 24", 26", 28", 30") Enter width to complete code.



H-STRAP

- Hook and loop fastener

ORDER CODES:
Z706 – 18"-20"W frames
Z712 – 22"-24"W frames

FOOT and LEG SUPPORTS – Accessories



◀ ADJUSTABLE HEEL LOOPS

- Adjustable length accommodates fore/aft foot positioning
- Removable for cleaning

ORDER CODE: Z708ADJ



◀ LATERAL / MEDIAL OFFSET FOOTREST RECEIVER

- Positions foot and leg supports 2" laterally or medially

ORDER CODE: Z7OFLM



◀ FOOT/LEG SUPPORT LOCK

- Keeps foot or leg support attached to the chair (loss prevention)
- Can be installed to allow foot or leg support to swing away or be retained in forward position
- Available for all foot and leg support models (except Z7FBAS / Z7FBT)

ORDER CODES: Z7FSLK



◀ NEOPRENE FOOTPLATE COVERS

- Provides soft, warm surface and is available for all footplate models

ORDER CODES:

Z7NCS – Standard Molded Footplates

Z7NC16 – Narrow Molded Footplates

Z7NCA – Angle/Depth Adjustable Molded Footplates

Z7NCABS – Angle/Depth Adjustable ABS Footplates

CASTERS and WHEELS



CASTERS

- Dual lock prevents caster from rolling and swiveling
- 4" and 6" upgrades are optional on all chairs except AT600, which comes standard with 6"



22" AND 24" WHEELS

- Ergonomic handrim
- Sealed precision bearings

ORDER CODES:

Z612R – 22" (SP)

Z614R – 24"(SP)

Z614RHD – 24" (SP600)

CASTER and WHEEL ACCESSORIES



USER-ACTUATED CASTER SWIVEL LOCKS

These caster swivel locks prevent both front casters from swiveling, making self-propel chairs more stable for independent lateral transfers.

- The handles extend up to the seat level, facilitating independent actuation
- Actuation rod can be trimmed as required

ORDER CODE: Z674



DIRECTIONAL CASTER LOCKS (DCL)

Directional Caster Locks are designed to be used on Attendant Propel models. The DCL facilitates steering by locking one rear caster in the forward position without locking the roll function.

ORDER CODES:

Z675 – AT/CAT/AT600

Z673 – AP

Z673HD – AP600

CASTER and WHEELS – Accessories



Vinyl-Coated
Z622VHR – 22" Z624VHR – 24"



Vinyl-Coated with Vertical Projections
Z622PHR – 22" Z624PHR – 24"

◀ SPECIALTY HANDRIMS

- Vinyl coating improves user grip
- Projections allow propulsion with palm of hand



◀ QUICK-RELEASE AXLES

- Allows for easy removal of wheels
- Large button cap for ease of activation
- Not available for SP600

ORDER CODE: Z660 – Raz-SP



POSITIONING SUPPORTS



Large Pad 6.75" x 4.3"



Small Pad 5.5" x 3.5"

POSITIONING PADS

Raz positioning pads are used for Swing-Away Lateral Thoracic Supports, Leg Adductors and Hip Adductors. They are adjustable and can be contoured.

2 sizes are available.



SWINGAWAY LATERAL THORACIC SUPPORTS

- Locks in forward and rearward position
- Fore/aft, height, and angle-adjustable
- L-shaped bracket allows pad to be mounted with up to 3" medial offset from the back post

CHAIR MODEL	LARGE PAD	SMALL PAD
AP / SP / AT / CAT	Z7LTS2L/R	Z7LTS1L/R
AT600 / AP600 / SP600	Z7LTS2HDL/R	N/A



LEG ADDUCTORS

- Removable
- Medial/lateral adjustment
- Height adjustable
- Fore/aft adjustable

CHAIR MODEL	LARGE PAD	SMALL PAD
AP/SP	Z7LGAS2L/R	Z7LGAS1L/R
AP600/SP600	Z7LGAS2L/R	N/A
AT/CAT	Z7LGT2L/R	Z7LGT1L/R
AT600	Z7LGT2L/R	N/A



HIP ADDUCTORS

- Removable
- Medial/lateral adjustment
- Fore/aft adjustment

CHAIR MODEL	LARGE PAD	SMALL PAD
AP / SP/ AT	Z7HP2L/R	Z7HP1L/R
CAT 4" narrower backs	Z7HP4C2L/R	Z7HP4C1L/R
CAT 0"- 2" narrower backs	Z7HP02C2L/R	Z7HP02C1L/R

POSITIONING SUPPORTS



◀ HEAD SUPPORT FIXTURE

- Tool-less adjustment
- Rugged, cast stainless steel links with interlocking teeth
- Standard with all Tilt Chairs

ORDER CODES: (Non-Tilt Chairs)

Z7HSASS – w/ Small Pad

Z7HSASL – w/ Large Pad



◀ OFFSET HEADREST MOUNTING INTERFACE PLATE

- Allows headrest fixture to pivot up to 22°
- Provides 4" - 6" of offset, depending on height of headrest height

ORDER CODE: Z7OHIP



Small Pad – (10" x 4")



Large Pad – (12" x 6")

◀ HEAD SUPPORT PADS

- Molded, contoured pads
- Small Pad Standard on all Tilt Models

ORDER CODE:

Z7HSTL – Large Pad Upgrade for Tilt Chairs

PELVIC and CHEST BELTS



- ◀ **PELVIC BELT**
- 2-piece belt with side release buckle
 - 2" webbing
- ORDER CODE:
ZPB__ S/M/L/XL
(Add size to complete Code)



- ◀ **BODYPOINT PELVIC BELT**
- Soft, padded fast drying Aeromesh fabric with side release buckle
- ORDER CODE:
ZPBBP__ S/M/L/XL
(Add size to complete Code)



- ◀ **CHEST BELT**
- 1 piece wrap-around belt with hook and loop fastener
 - 2" webbing
- ORDER CODE:
ZCB__ S/M/L/XL
Add size to complete Code)



- ◀ **BODYPOINT CHEST BELT**
- Soft, padded fast drying Aeromesh fabric with side release buckle
- ORDER CODE:
ZCBBP__ S/M/L/XL
(Add size to complete Code)

INFECTION-CONTROL BELTS

Vinyl-coating completely encases weave to help prevent pathogens from being absorbed and trapped in the belt material.



- ◀ **INFECTION CONTROL PELVIC BELT**
- Two piece with side release buckle
- ORDER CODE:
ZPBIC__ S/M/L/XL
(Add size to complete Code)



- ◀ **INFECTION CONTROL CHEST BELT**
- One piece wrap-around belt with side release buckle
- ORDER CODE:
ZCBIC__ S/M/L/XL
(Add size to complete Code)

MISCELLANEOUS



AP/AP600



SP

ANTI-TIPPERS

- Anti-Tippers are available for all Raz chairs, for both front or rear.

ORDER CODES: See order forms



TILT LIMITERS

- 1/2" spacers snap onto gas struts to limit tilt
- Reduces tilt range approximately 5° per spacer
- Can be stacked for additional tilt limiting

ORDER CODES: ZTLS



DUAL TRIGGERS

- For tilt-only or recline-only chairs, both triggers can be positioned together on either the left or right side.

ORDER CODES:

Z5DTL/R – AT

Z5DTL/RC – CAT



BARD URINE DRAINAGE BAG HOLDER

- Clamps onto front seat support tubes to hold bard Urine Drainage Bag

ORDER CODE:

ZBUDBH_ (16"/18"/20"/22" 24"/26"/28"/30")

(Add size to complete code)

DISTRIBUTED BY:



753011 Second Line EHS, Orangeville, ON L9W 5W4

T: (866) 875-2877 • (519) 942-8441 F: (866) 875-2878 • (519) 942-2186

www.dynamicHCS.com